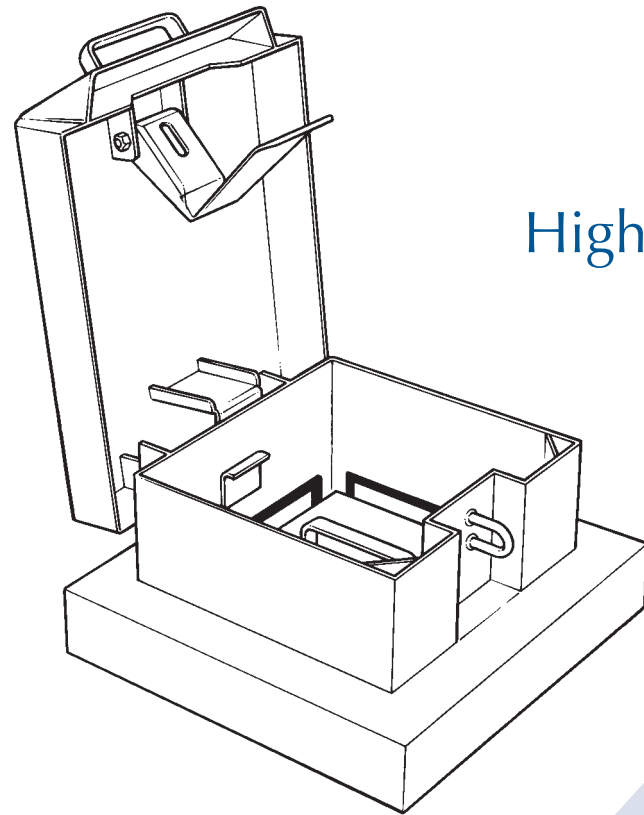


STRATAFORM SENTINEL 2000 SERIES Vent Pipe Cover

(Range: upto 0.2m² clear opening)

High Security Hinged Moated Upstand Access Covers



Designed and recommended for reservoirs

Frame: Fabricated from strong 6mm thick steel, galvanised after manufacture to BS EN ISO 1461:1999.

Moated/Internal Flanges: For optimum security and prevention of unauthorised removal or interference when cover is closed and locked. Supplied with large holes for further drainage and internal lip preventing ingress of contaminants.

Lid Stops: Prevents over compression or shearing of the seal.

Air Vents: Push-in replaceable vents give optimum ventilation to chamber whilst allowing any contaminants or excess fluid to drain to the outside of the cover and away from the chamber.

Staple: Fully adjustable for clamping pressure and for use with different padlocks for optimum security.

Hinges: Totally concealed with added protection from vent boxes.

Dog Leg: For increased security around hinge area.

Lid: Removable lid, fabricated from strong 4mm thick steel for additional strength and security. Galvanised after manufacture to BS EN ISO 1461:1999.

Protective Peak: Affords further protection to the locking mechanism.

Seal: WRc approved material fitted to the underside of the lid guards against accidental damage.

Lifting Handles: Fitted to front.

Secondary Lid: Provides an additional barrier against contamination whilst allowing free air flow into the chamber.



Quality Systems Certificate No 444
Assessed to ISO 9001:2000



Sentinel 4000
Certified to LPS 1175 Issue 5
Certificate No. 444a

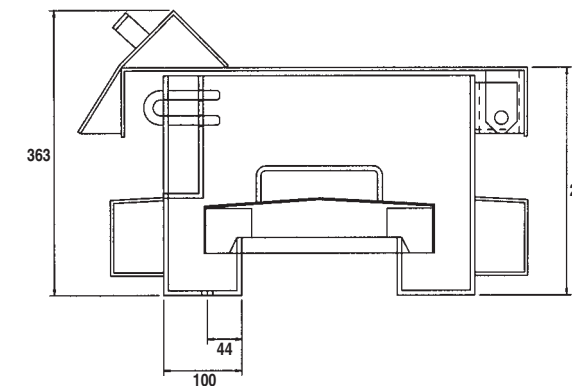
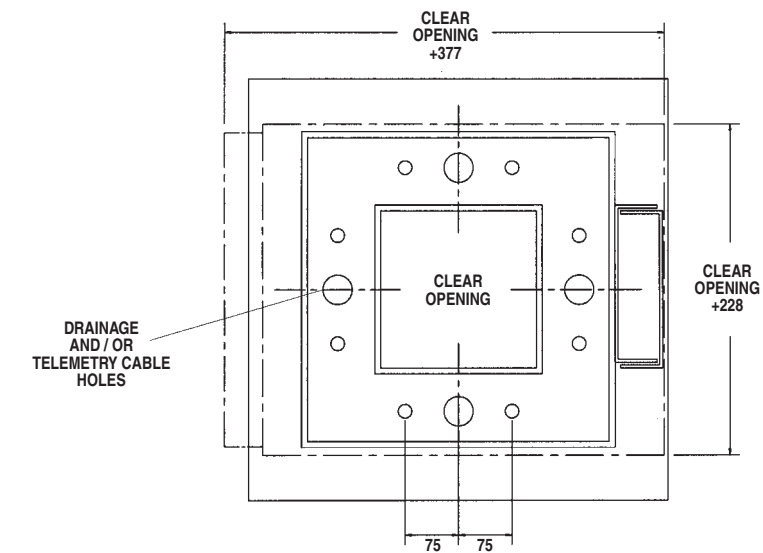


Hoo Farm Industrial Estate, Worcester Road, Kidderminster, DY11 7RA - Tel: +44 (0) 1562 515183 - Fax: +44 (0) 1562 742648 - e-mail: sales@strataform.co.uk

STRATAFORM SENTINEL 2000 SERIES

Vent Pipe Cover

(Range upto 0.2m² clear opening)



Optional Extras:

EXAMPLE	TICK BOX	
<input checked="" type="checkbox"/>	<input type="checkbox"/>	Integral Lock - KABA/Strataform Thor Lock
<input type="checkbox"/>	<input type="checkbox"/>	Magnetic Contact Brackets
<input type="checkbox"/>	<input type="checkbox"/>	Magnetic contacts
<input type="checkbox"/>	<input type="checkbox"/>	Chequer Plate Lid

How to Order:

EXAMPLE	QUANTITY	
2		

Tick the boxes listed above

State quantity per size

State clear opening size

State what extras are required (if any).

Customer Name & Delivery Address:

Customer Order No: Project Ref:

EXAMPLE



The example shows how to order: 2 No. SENTINEL 2000 Series Vent Pipe Cover. WITH INTEGRAL LOCK

Fax this order sheet to us on: **+44 (0) 1562 742648**

Photocopy this blank sheet for further orders

For advice & technical information please contact access cover sales at:



STRATAFORM

S2-VPC/03.04

Hoo Farm Industrial Estate, Worcester Road, Kidderminster, DY11 7RA - Tel: +44 (0) 1562 515183 - Fax: +44 (0) 1562 742648 - e-mail: sales@strataform.co.uk